

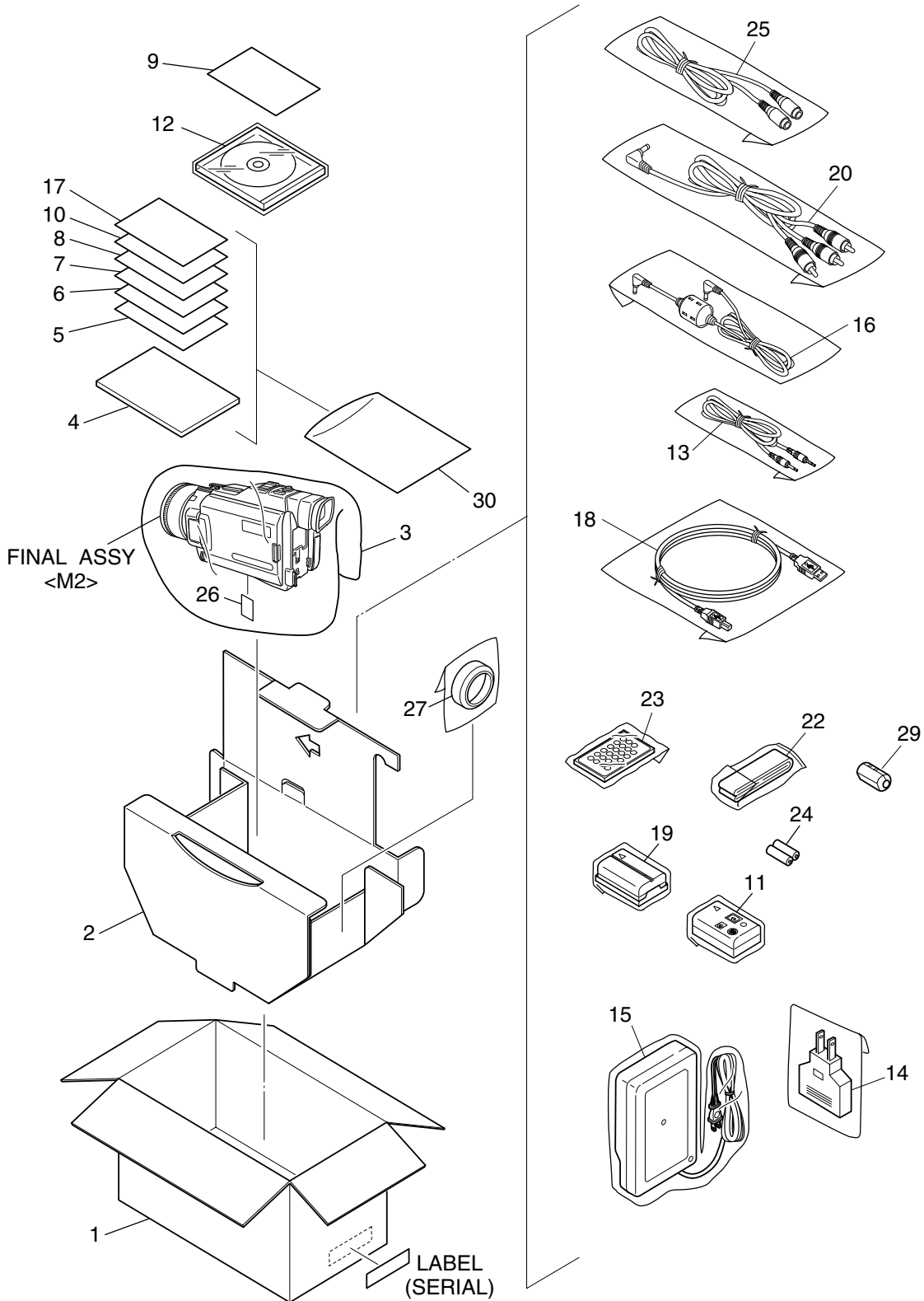
SECTION 5 PARTS LIST

SAFETY PRECAUTION

Parts identified by the  symbol are critical for safety. Replace only with specified part numbers.

5.1 PACKING AND ACCESSORY ASSEMBLY <M1>

The instruction manual to be provided with this product will differ according to the destination.



Δ REF No. PART No. PART NAME, DESCRIPTION

PACKING AND ACCESSORY ASSEMBLY <M1>

1	LY32212-003A	PACKING CASE,A,B,C
	LY32212-004A	PACKING CASE,D
2	LY20666-001B	CUSION
3	LY30023-020A	POLY BAG
Δ 4	LYT0755-001A	INST.BOOK(EN)
Δ	LYT0755-002A	INST.BOOK(GE),A,B
Δ	LYT0755-003A	INST.BOOK(FR),A,B
Δ	LYT0755-004A	INST.BOOK(CH),A,B,D
Δ	LYT0755-005A	INST.BOOK(AR),A,B
Δ	LYT0755-006A	INST.BOOK(RU),D
5	LYT0736-015A	INST.BOOK(PRINTER.GE),A,B
	LYT0736-022A	INST.BOOK(PRINTER.RU),D
	LYT0736-026A	INST.BOOK(PRINTER.CH),A,B,D
	LYT9736-027A	INST.BOOK(PRINTER.AR),A,B
	LYT0736-028A	INST.BOOK(PRINTER.EN)
	LYT0736-029A	INST.BOOK(PRINTER.FR),A,B
Δ 6	LYT0744-001A	INST.BOOK(SOFT.EN),C
Δ	LYT0748-001A	INST.BOOK(SOFT.3LANG),D
Δ	LYT0754-001A	INST.BOOK(SOFT.4LANG),A,B
7	LYT0162-024A	ACC.LEAFLET
8	LYT0378-003A	SHEET(AGREMENT)
9	BT-56001-2	WARRANTY CARD,C
Δ 10	LYT0609-001A	SHEET(CON.PLUG),A,B
11	LY20677-002B	JACK BOX,CU-V504U
12	LY32210-001A	CD ROM
13	PEAC0428-150	CABLE ASSY,EDITING CABLE
Δ 14	PEMC1012	CONVERSION PLUG,B
Δ	PEMC1012-02	CONVERSION PLUG,A
Δ 15	LY20591-006B	AC POWER ADAPTER/CHARGER,AA-V40SH,D
Δ	LY20591-007A	AC POWER ADAPTER/CHARGER,AA-V40A,A
Δ	LY20591-008A	AC POWER ADAPTER/CHARGER,AA-V40AS,B
Δ	LY20591-009B	AC POWER ADAPTER/CHARGER,AA-V40EA,C
16	QAM0301-001	DC CORD
17	BT-56002-2	SER.NET CARD,C
18	QAM0322-001	USB CABLE
Δ 19	LY31587-001A	BATTERY PACK,BN-V408U
20	QAM0291-001	CABLE ASSY,AUDIO/VIDEO CABLE
22	LY20186-001A	SHOULDER STRAP
23	LY20543-002A	REMOTE CONTROL UNIT,RM-V716U
24	-	BATTERY,AAA(R03),X2
25	QAM0004-004	S VIDEO CABLE
26	QAM0262-002	MULTIMEDIA CARD,D
	QAM0321-002	MULTIMEDIA CARD,A,B,C
27	LY32003-001B	LENS HOOD
29	QQR1081-002	CORE FILTER
30	QPA02003506	POLY BAG,A,B,D
	QPA02003006	PLOY BAG,C

MODEL	MARK
GR-DV2000A	A
GR-DV2000A-S	B
GR-DV2000EA	C
GR-DV2000SH	D

• INSTRUCTIONS

- EN ENGLISH
- GE GERMANY
- FR FRENCH
- CH CHINESE
- AR ARABIC
- RU RUSSIAN